



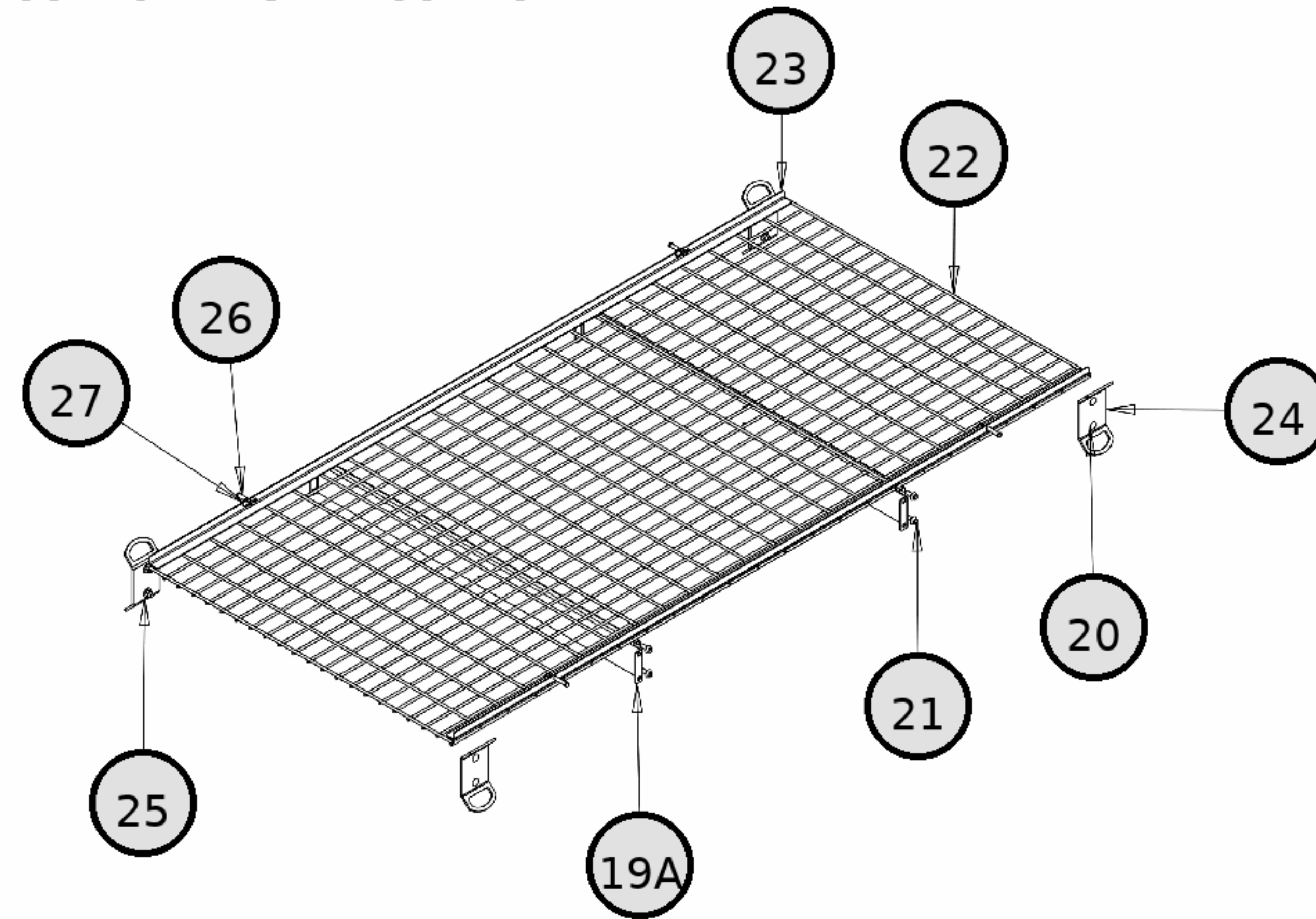
PRO SST V-BOX SPREADERS - HYDRAULIC

FIGURE LIST

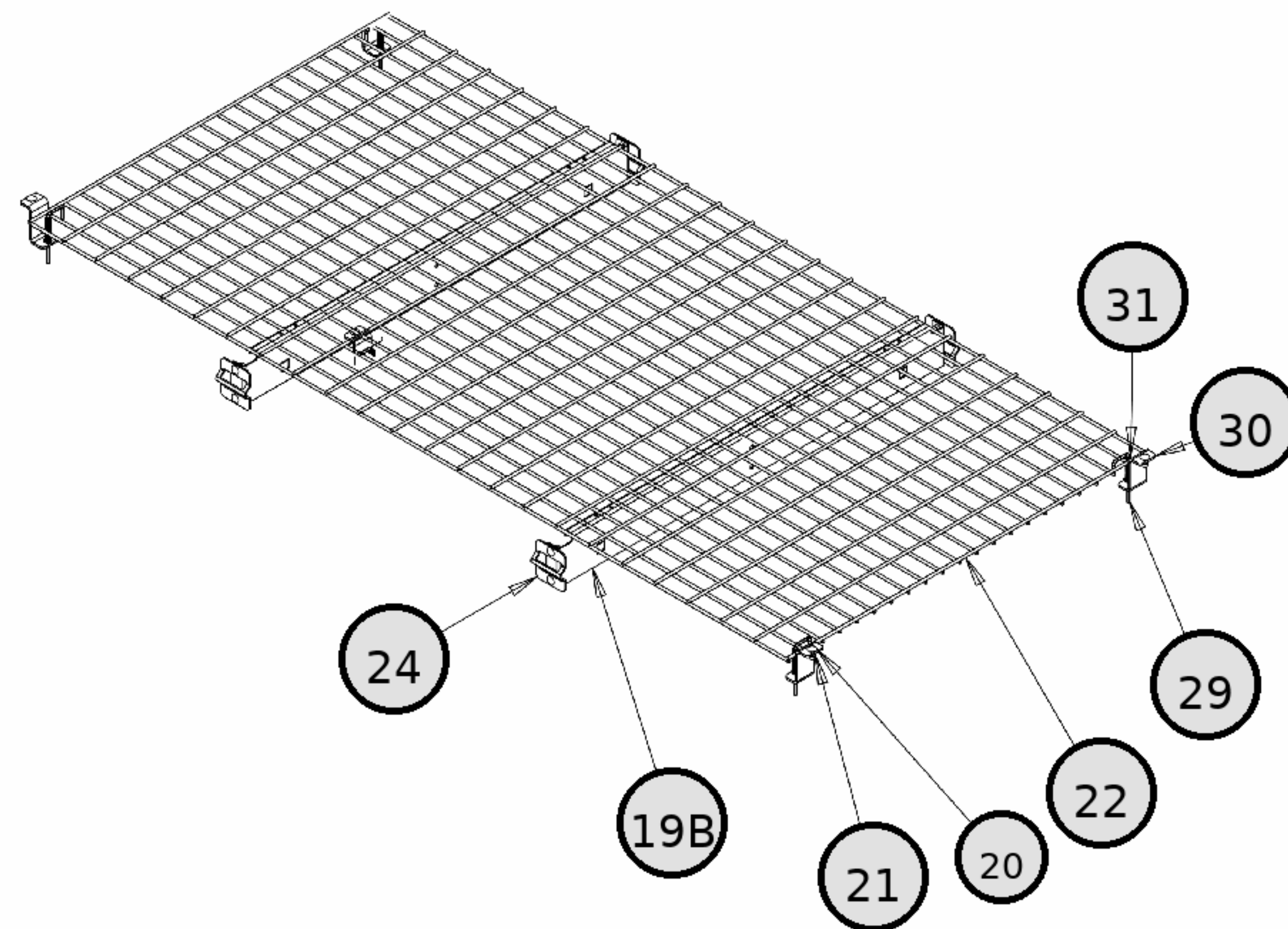
Page	Description
1	1470601SSH SCREEN KITS, VBOX

**NOTE: SCREEN KITS ARE NOT BACKWARDS COMPATIBLE
SEVERAL COMPONENTS ARE COMMON**

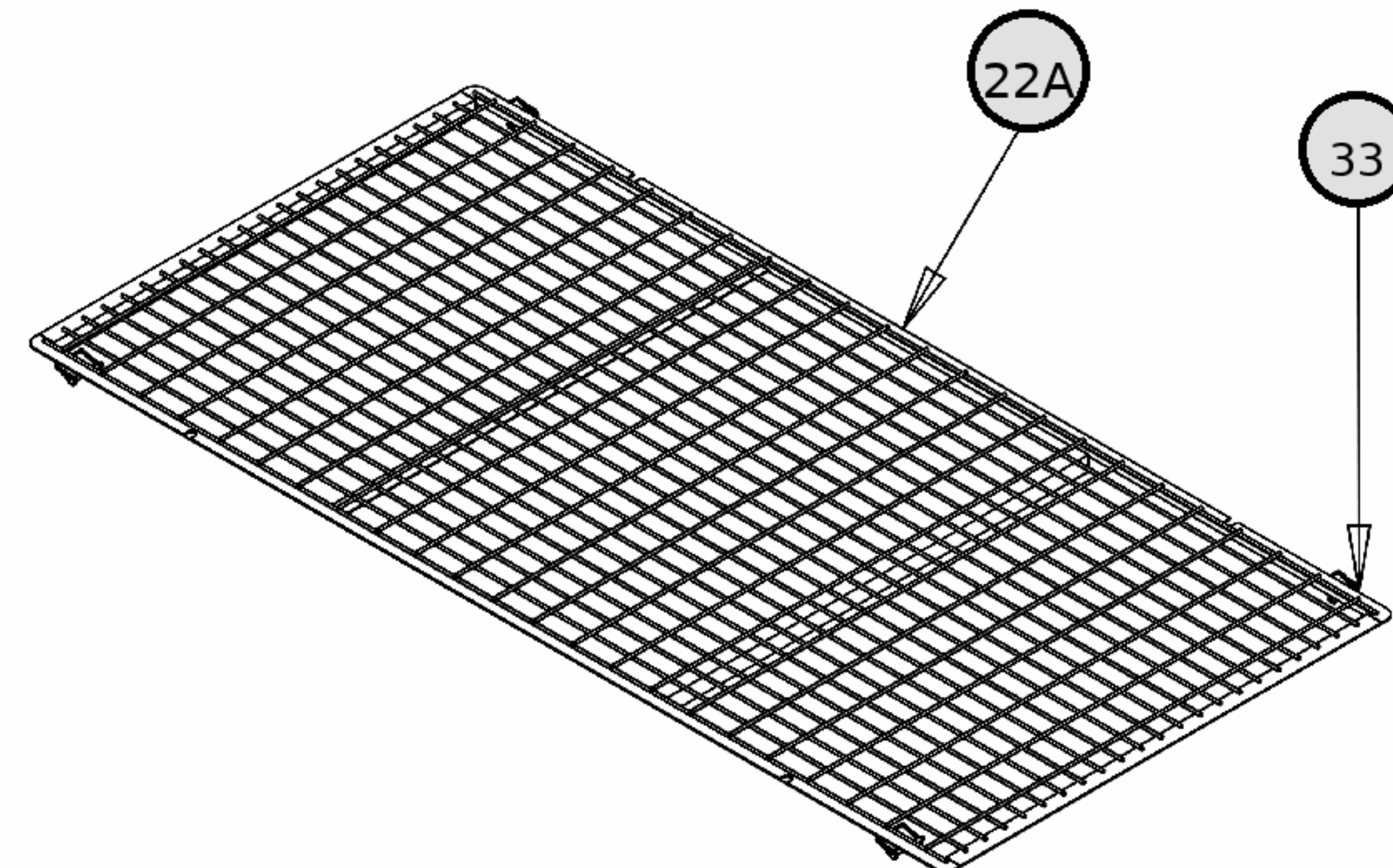
**2025 DESIGN
RECESSED SCREEN
WITH ANGLE IRON RETAINERS**



**2022 DESIGN
FLUSH SCREEN
WITH SPRING CLIPS**



**ORIGINAL DESIGN
FRAMED SCREEN**



REF	PN	DESCRIPTION
19A	3063552	CROSS MEMBER, SST, RECESSED SCREEN
19B	3052927	CROSS MEMBER, SST, FLUSH SCREEN
20	FCB037516100SS	BOLT, 3/8-16 X 1 CARRIAGE SST
20	FCB037516100SS	BOLT, 3/8-16 X 1 CARRIAGE SST
21	FNE038016044SS	NUT, NYLOCK, 3/8-16, SST WAX
21	FNE038016044SS	NUT, NYLOCK, 3/8-16, SST WAX
22	3052919	TOP SCREEN, 96IN, FLUSH AND RECESSED
22	3052919	TOP SCREEN, 96IN, FLUSH AND RECESSED
22	3054802	TOP SCREEN, 84IN, FLUSH AND RECESSED
22	3054802	TOP SCREEN, 84IN, FLUSH AND RECESSED
22A	3007349	TOP SCREEN, 72IN, FRAMED
22A	3007568	TOP SCREEN, 96IN, FRAMED
23	3063584	RECESSED SCREEN RETAINER
24	3064579	BRACKET, TIE-DOWN
24	3064579	BRACKET, TIE-DOWN
25	FWF038100007SS	WASHER, FLAT 3/8 USS SST
26	3064750	PIN CLEVIS .375 X 1.75,SST
27	3001257	PIN, HAIR COTTER STAINLESS STEEL
29	3054283	LOCK PIN, SCREEN
30	3058806	BRACKET, LOCK PIN
31	3054284	SPRING, LOCK PIN
33	66053	SNAPPER PIN, 5/16X2-1/2